

TWIGA PRO 800T

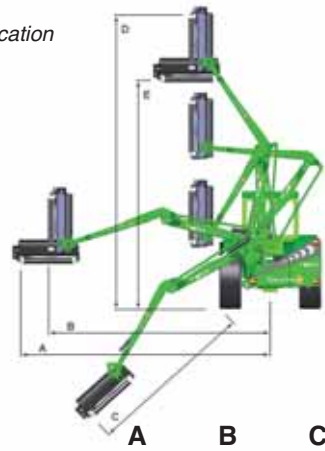
- Precision Proportional Controls
- Five Point Linkage Mounting
- Left Hand or Right Hand Build Option
- Cushion Top Link
- LED Rear Lighting Kit
- Parallel Arm Geometry
- Telescopic Dipper Arm
- Totally Independent 66HP Hydraulic System
- Cast Iron Pumps and Motor
- Heavy Duty Cast Iron Gearbox
- Hydraulic Slew and Safety Breakaway
- Oil Cooler
- 220 Litre Oil Capacity
- 1.2 Metre MP2 Flailhead

Optional Extras

- Propilot Controls
- Remote Hydraulic Roller Adjustment
- Autopilot Control
- Belt Drive Flailhead
- Totally Independent 85HP Hydraulic System
- Quick Release Couplings
- Mechanical Quick Attach Bracket

MODEL	TWIGA PRO 800T
Maximum reach	8.0m
Machine weight*	1850kg
Oil tank capacity	220Ltr
Transport width	2.5m
Gear totally independent hyd	STD
5-point linkage-mounting	STD
Right hand or left hand build	Option
LED lighting kit	STD
Tractor power required**	160-190hp
Tractor weight required**	6500kg

*Dependant on machine specification



	A	B	C	D	E
TWIGA PRO 800T	8.0m	7.4m	6.0m	8.6m	7.1m

TWIGA PRO

Performance Pack

